



**RPE Srl**  
**Leader in Fluid Management Control**

**100%**  
**MADE IN ITALY**

# **PWM BOARD**

**Solutions for coffee machine, water  
dispenser, appliances, medical equipment**

**For a control of the fluids at high temperature**

[www.rpesrl.it](http://www.rpesrl.it)

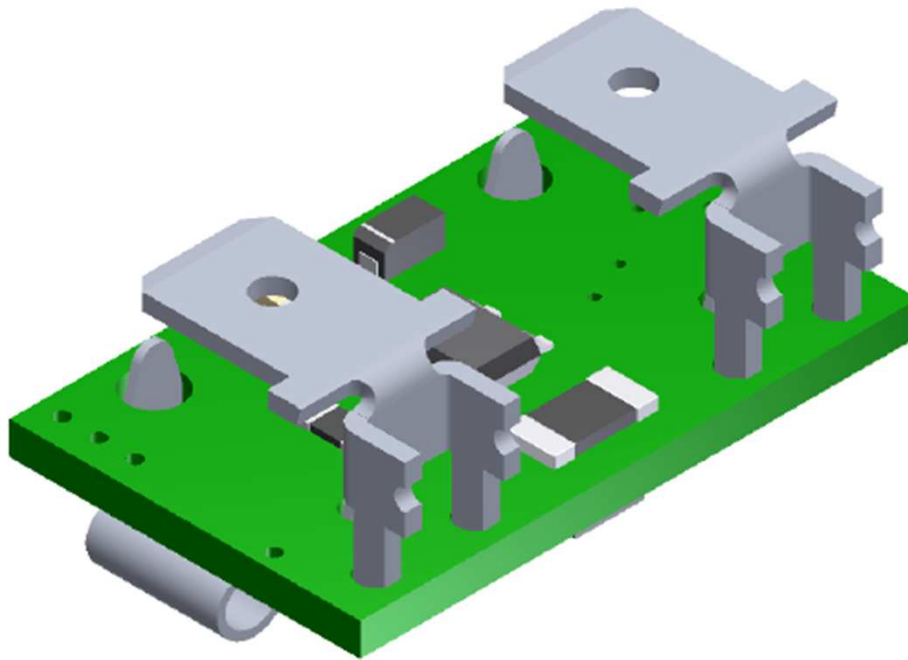


# PWM Software



100%  
MADE IN ITALY

2



**MAXIMUM RATING  
HARDWARE  
24V DC**

- Room temperature: 0 - 80°C
- Supply voltage: 24V DC 20%
- Current consumption of electronic board: 16mA
- Maximum power supply: 30W
- Maximum current supply: 1 A
- Peak current (10ms): 3 A
- Output type: Mosfet open drain
- PWM frequency: 15kHz 5%

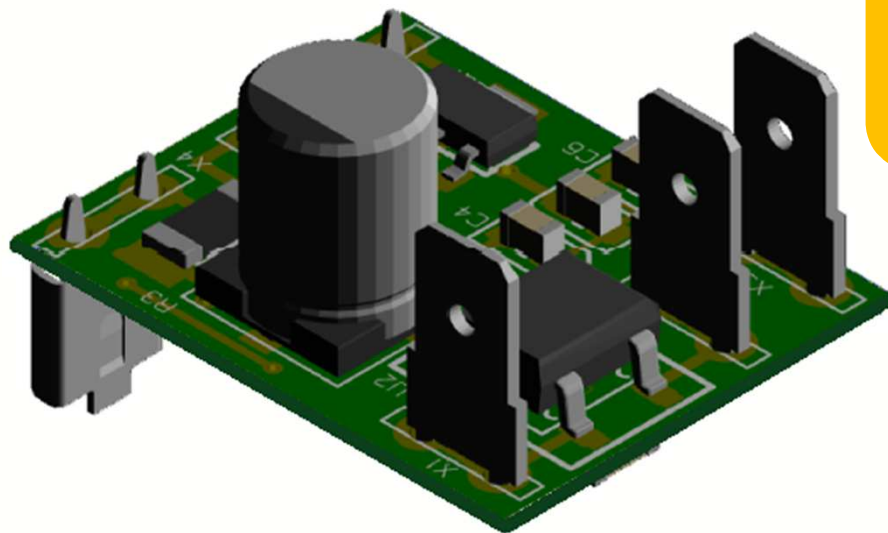


# PWM Software



100%  
MADE IN ITALY

3



**MAXIMUM RATING  
HARDWARE  
230V AC**

- Room temperature: 0 - 70°C
- Supply voltage: 220V AC 20%
- Frequency: 50Hz/60Hz
- Current consumption of electronic board: 10mA
- Maximum current supply: 0,5 A
- Peak current (10ms): 1 A
- Output type: Mosfet open drain
- PWM frequency: 5kHz 5%



# PWM Software

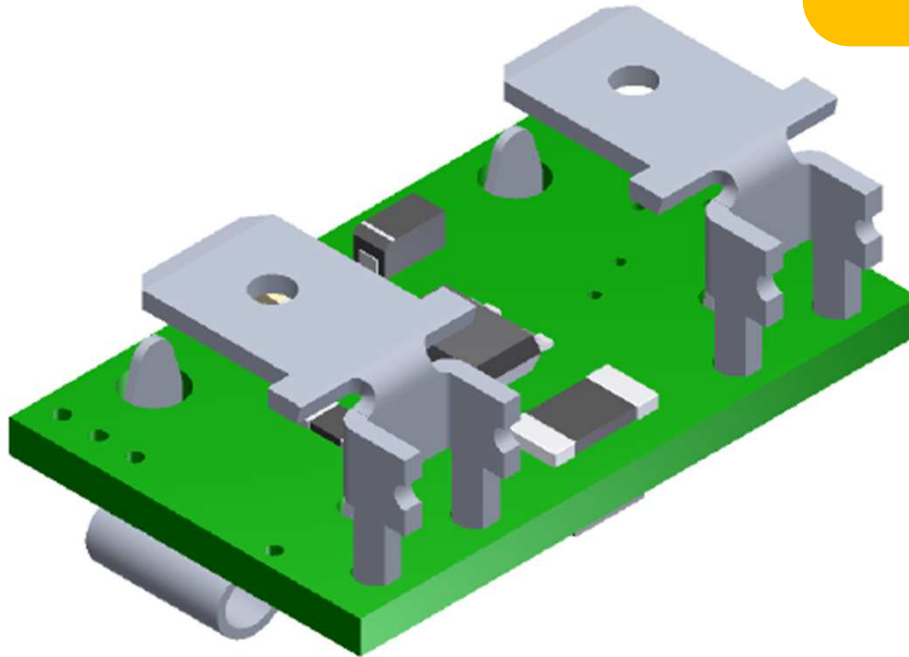


100%  
MADE IN ITALY

4

PWM board allow to drive the electrovalves in direct current through the control of rush current and the holding current

**FUNCTIONALITY  
OF SOFTWARE**  
24V DC



- In rush time: 500 ms  $\pm 5\%$
- In rush current: 480 mA  $\pm 5\%$
- Holding current: 100 mA  $\pm 5\%$
- Peak current(10 ms): 800 mA  $\pm 5\%$
- Start up time: 2 mS  $\pm 5\%$
- Stop time (output fall time): 100  $\mu$ s  $\pm 5\%$
- Load inductance: 110 mH  $\pm 5\%$



# PWM Software

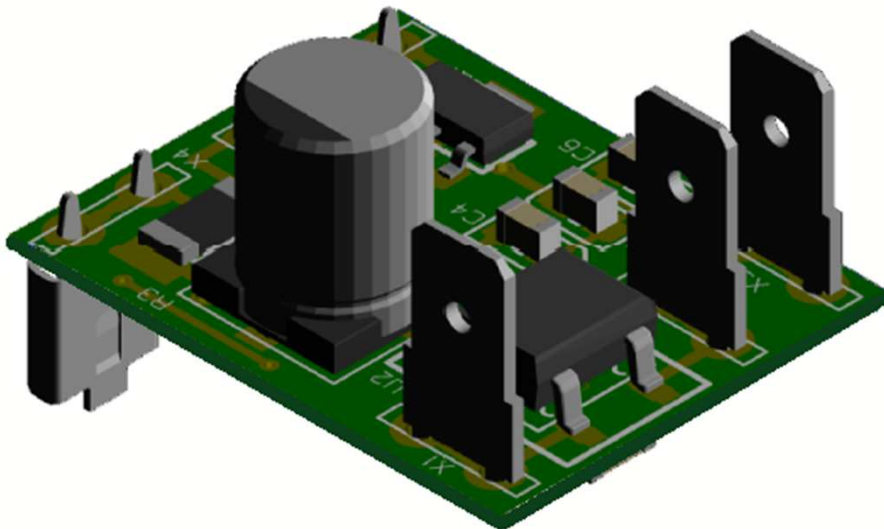


100%  
MADE IN ITALY

5

PWM board allow to drive the electrovalves in direct current through the control of rush current and the holding current

FUNCTIONALITY  
OF SOFTWARE  
230V AC



- In rush time: 100 ms  $\pm 5\%$
- In rush current: 400 mA  $\pm 5\%$
- Holding current: 30 mA  $\pm 5\%$
- Peak current (10 ms): 1000 mA  $\pm 5\%$

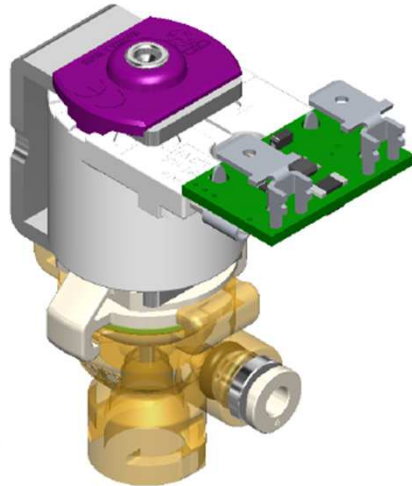


# PWM Software



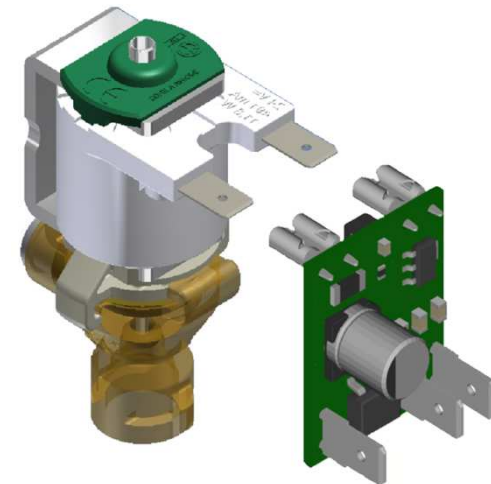
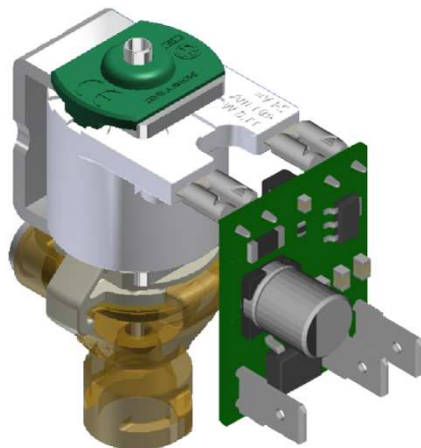
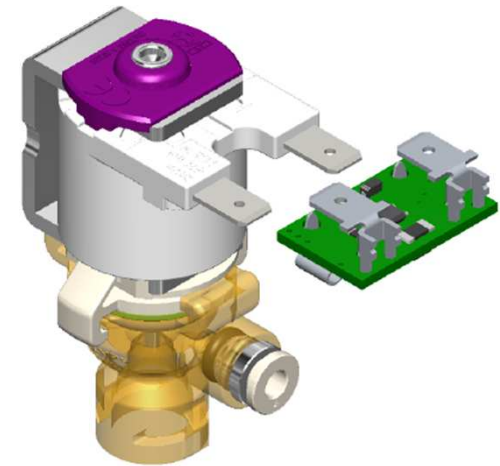
100%  
MADE IN ITALY

6



## APPLICATIONS

- Electromechanical drivers:
- Solenoids
- Valves
- Actuators
- Protection against overheating of the solenoids





# PWM Software

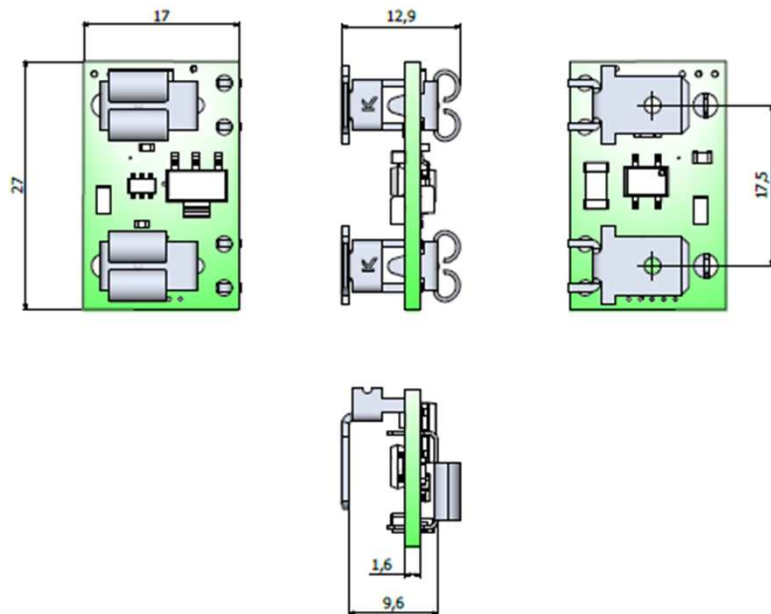


100%  
MADE IN ITALY

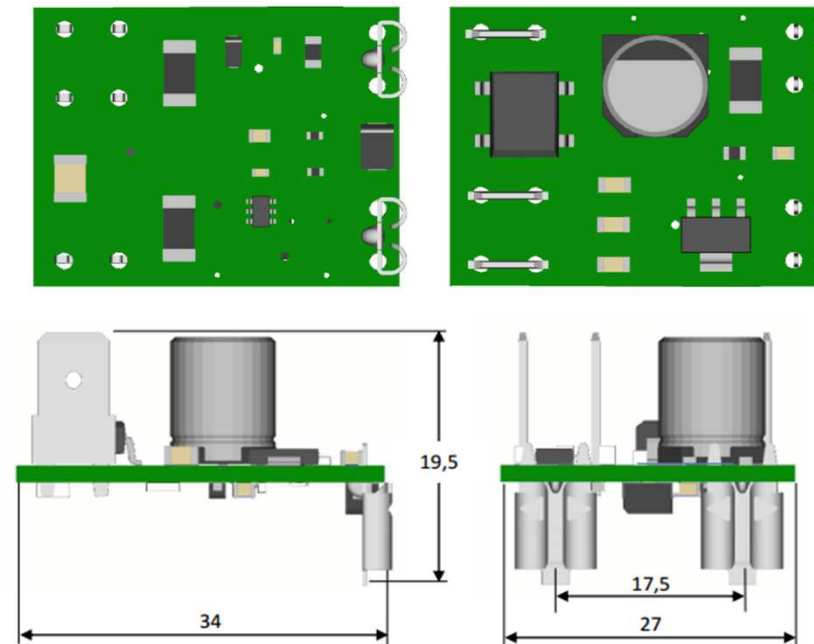
7

## Plans and board size

24V DC



230V AC





# PWM Software Plus del prodotto

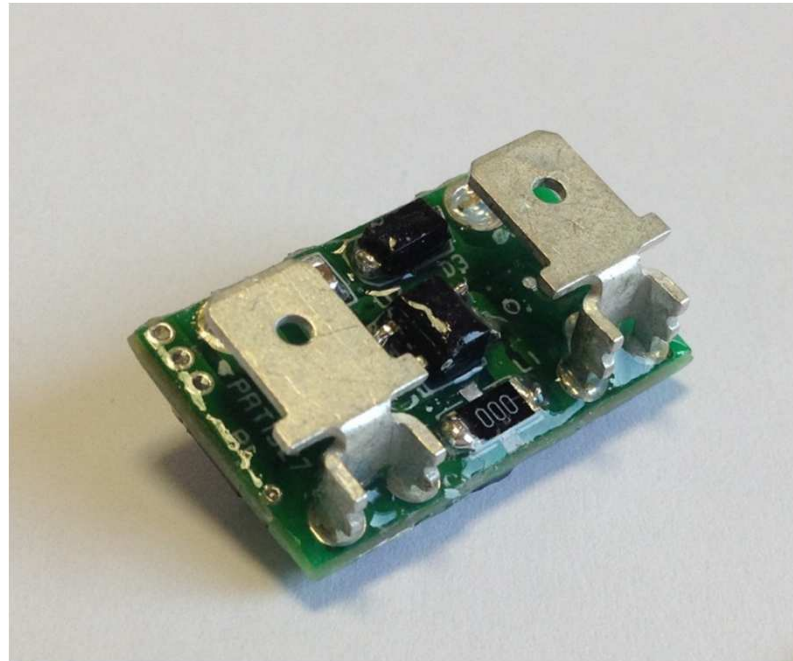


100%  
MADE IN ITALY

8

Very compact  
dimensions

Substantial  
reduction of the  
energy consumed  
about 60%



Allows to lower the  
operating temperature  
of the solenoid

Considerably  
reduces  
electromagnetic  
pollution (EMC)



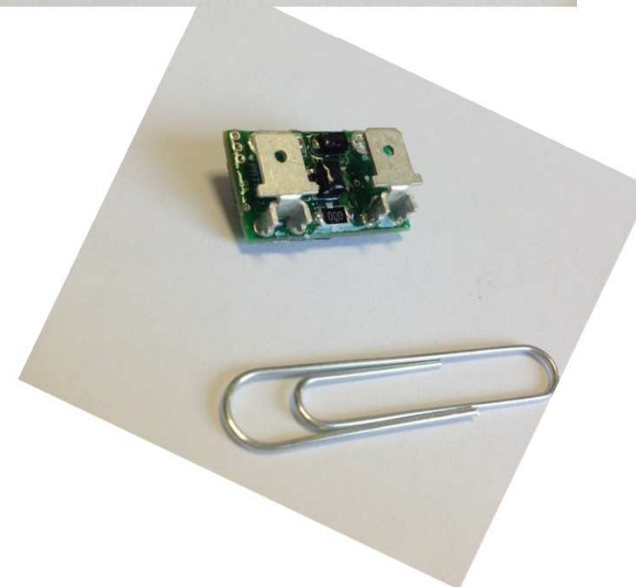
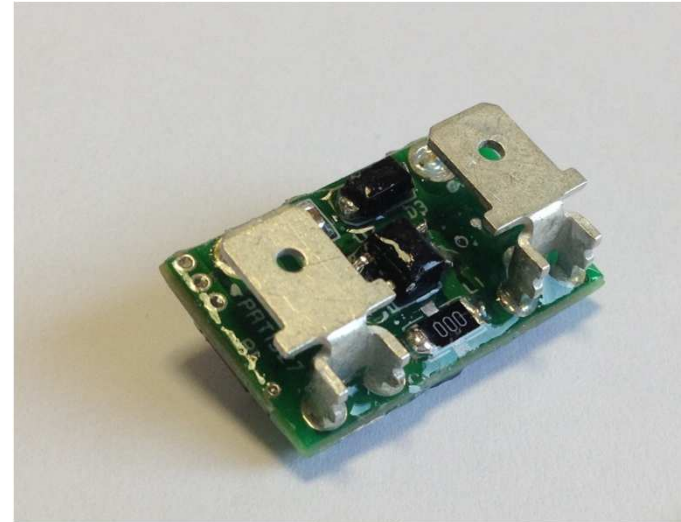
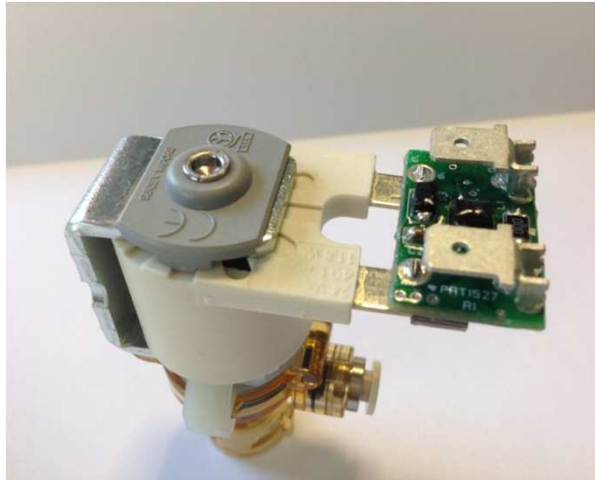


# PWM Software



100%  
MADE IN ITALY

9





# Target Market

100%  
MADE IN ITALY

10





# NOTHING GREAT HAS EVER BEEN DONE WITHOUT PASSION

11

Thanks for your attention



[www.rpesrl.it](http://www.rpesrl.it)