



RPE Srl
Leader in Fluid Management Control

100%
MADE IN ITALY

NEW AXIAL VALVE RPE

www.rpesrl.it



100%
MADE IN ITALY

AXIAL VALVE RPE

2

CHARACTERISTICS



- **2/2 WAY DN 8 - UNIDIRECTIONAL**
- **CONTROL: NORMALLY CLOSED, LATCHING**
- **WORKING PRESSURE: 0,5-10BAR (7.25-145PSI)**
- **FULLY FOOD GRADE APPROVED**
- **FLUID TEMPERATURE: TM 90°C (194°F)**

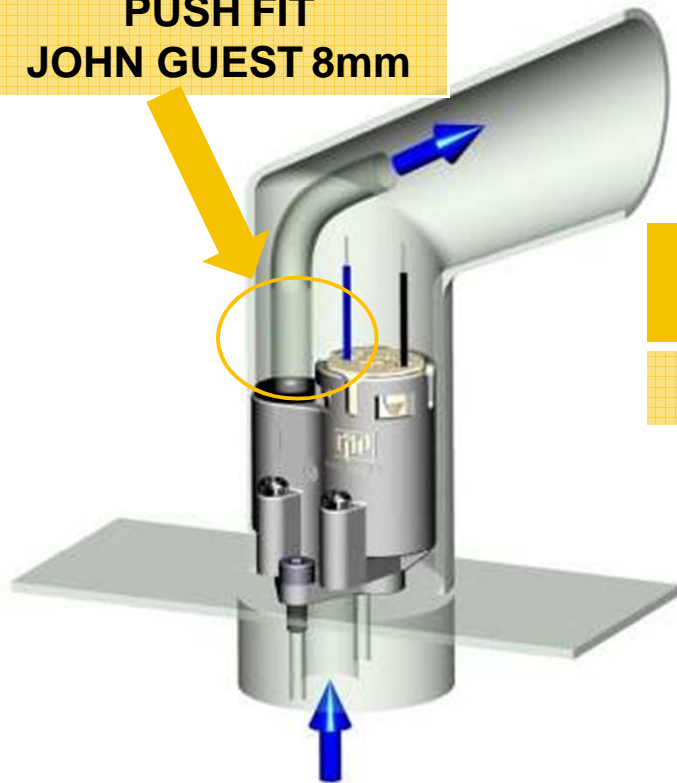


100%
MADE IN ITALY

AXIAL VALVE RPE

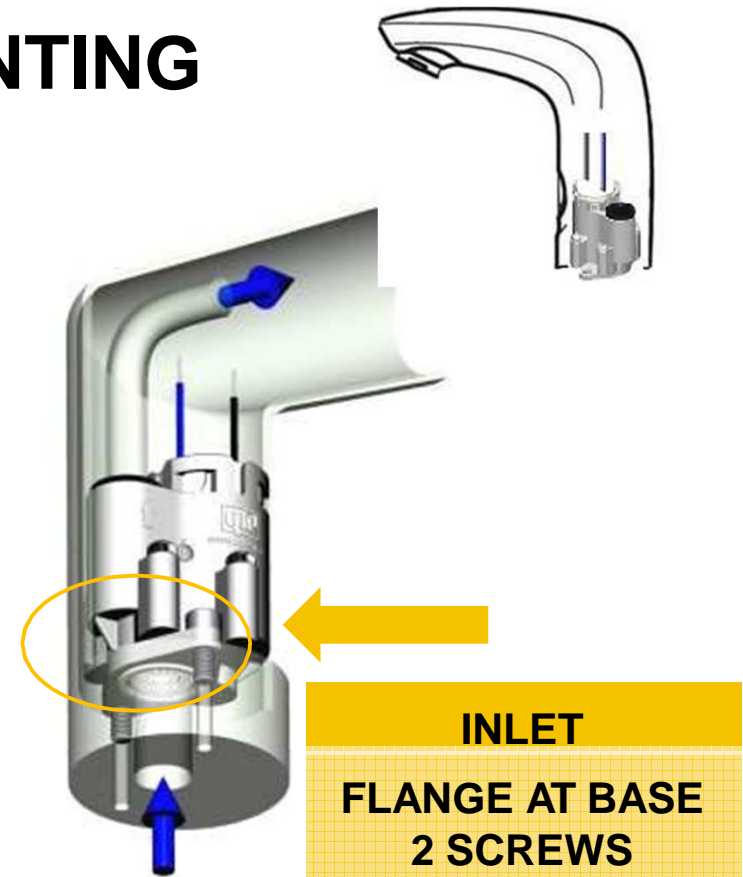
3

OUTLET
QUICK COUPLING
PUSH FIT
JOHN GUEST 8mm



EASY MOUNTING

MAX PRESSURE	Kv VALUE
10 Bar	13,58 L/min





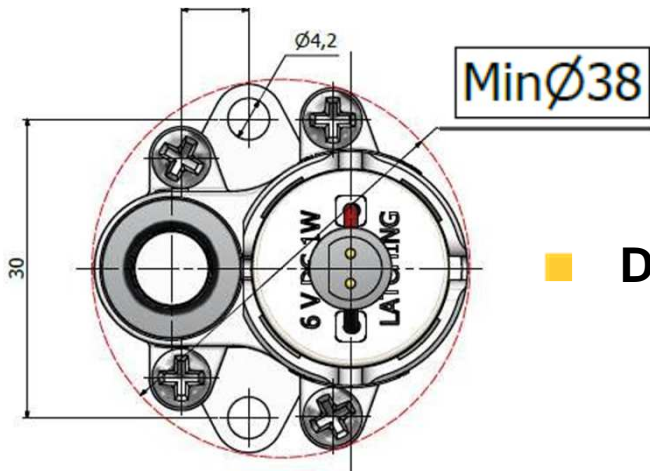
100%
MADE IN ITALY



4

AXIAL VALVE RPE

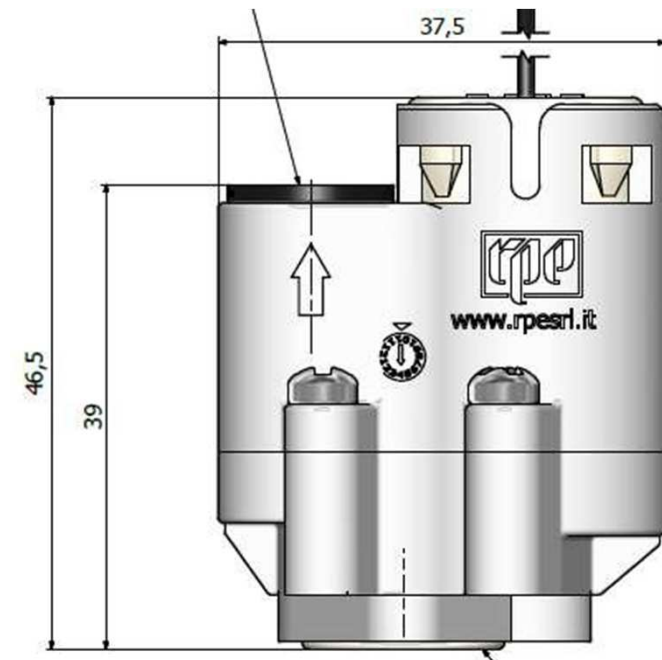
COMPACT AND PERFORMANT



■ DIAMETER: 38mm

■ HEIGHT: 46,5mm

STANDARD
INLET FILTER 50 MESH





100%
MADE IN ITALY



AXIAL VALVE RPE

5

ELECTRICAL FEATURES



NEW MICRO RPE	POWER (20° C)	CONSUMPTION (20° C)	RESPONSE TIME
3V LATCHING	1 W	330 mA	15ms
4,5V LATCHING	1 W	225 mA	15ms
6V LATCHING	1 W	165 mA	15ms
12V DC NC	1,6 W	130 mA	15ms
24V DC NC	1,6 W	130 mA	15ms

ELECTRICAL CONNECTIONS

STANDARD

FLYING CABLES
LENGHT 200mm

OPTION

MALE OR FEMALE
CONNECTORS IP 65
CABLE LENGHT 100mm





AXIAL VALVE RPE

100%
MADE IN ITALY



6

FULLY FOOD GRADE APPROVED



KTW
W270



IN PROCESS



AXIAL VALVE RPE

100%
MADE IN ITALY



7





NOTHING GREAT HAS EVER BEEN DONE WITHOUT PASSION

8

Thanks for your attention



www.rpesrl.it