



**RPE Srl**  
**Leader in Fluid Management Control**

**100%**  
**MADE IN ITALY**

# **Series R FILTER**

[www.rpesrl.it](http://www.rpesrl.it)



# Series R FILTER

100%  
MADE IN ITALY

2



Rpe presents the Filter R series for **an effective protection from particles and impurities in the water.** Save the high quality and reliability of your products

4 Filtering versions available:

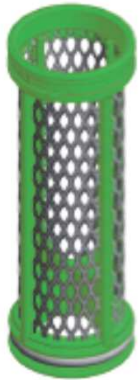
131  $\mu$  (114 mesh)  
168  $\mu$  (86 mesh)  
237  $\mu$  (64 mesh)  
307  $\mu$  (49 mesh)



# Series R FILTER

100%  
MADE IN ITALY

3



Specifications	
Color	Green
Filtration	131 $\mu$ (114 mesh)
Food approval	Yes



Specifications	
Color	White
Filtration	237 $\mu$ (64 mesh)
Food approval	Yes



Specifications	
Color	Black
Filtration	168 $\mu$ (86 mesh)
Food approval	Yes



Specifications	
Color	Blue
Filtration	307 $\mu$ (49 mesh)
Food approval	Yes



# Series R FILTER

100%  
MADE IN ITALY

4



## High protection

Protects the system from impurity maintaining the quality and functionality of your products

## Modularity

Available with all RPE bodies: including R, R Mini, RC and modular series

## Easy cleaning

Stainless steel filter easily removable to allow rapid cleaning



# FILTER R Series Features

100%  
MADE IN ITALY

5



## HIGH PROTECTION

This product is available with filtration degree from 49 to 114 Mesh

## BODY data

Compact: 3,8x6,4 cm  
Light and durable: thanks to high-tech materials  
Inspectionable: self-tapping screws  
Easy installation: can be installed in all positions without a reduction in performance

## CONNECTIONS: full set of Inlet & Outlet available

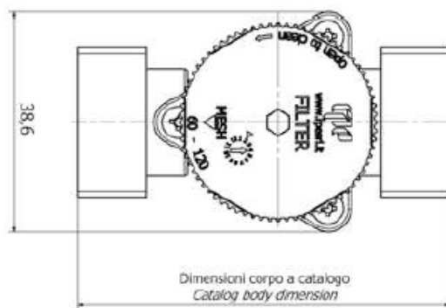
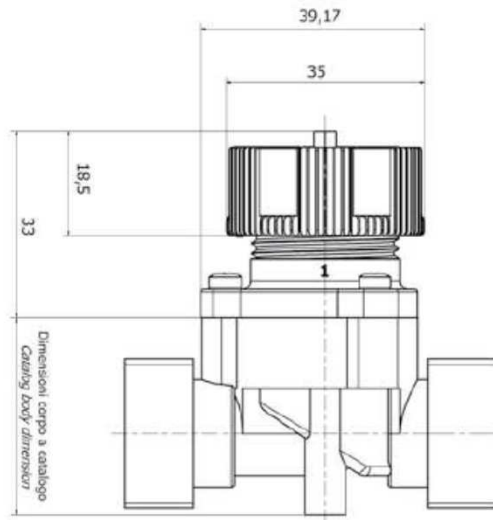
Female thread: 1/8" – 1/4" - 3/8"  
Male thread: 1/4" – 3/8" - 3/4" – 1/2"  
J.Guest: 6 mm – 8mm – 10mm – 12mm  
Spiggot: 10mm  
Hose tail: 10mm – 13mm



# Series R FILTER

100%  
MADE IN ITALY

6



## PHSICAL SPECIFICATIONS

Regulator Body & Cover	PA 6,6 FG30%
Gasket	Silicone
O-Ring	NBR silicone
Filter mesh	Stainless steel
Filter diameter	DN 11mm
Valve body & connect	All series R

## CONNECTIONS: full set of Inlet & Outlet available

Female thread: 1/8" – 1/4" - 3/8"

Male thread: 1/4" – 3/8" - 3/4" – 1/2"

J.Guest: 6 mm – 8mm – 10mm – 12mm

Spiggot: 10mm

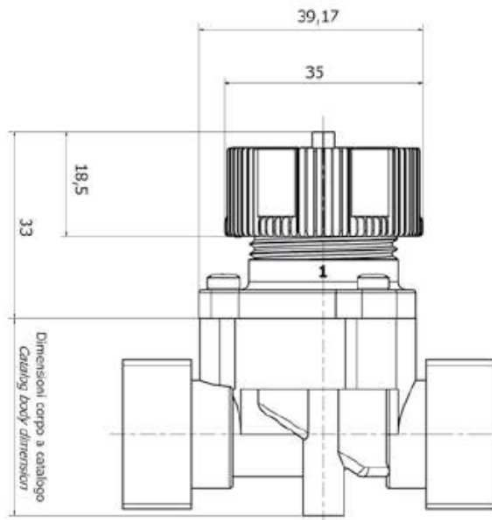
Hose tail: 10mm – 13mm



# Serie R FILTRO Caratteristiche

100%  
MADE IN ITALY

7



## Working characteristics

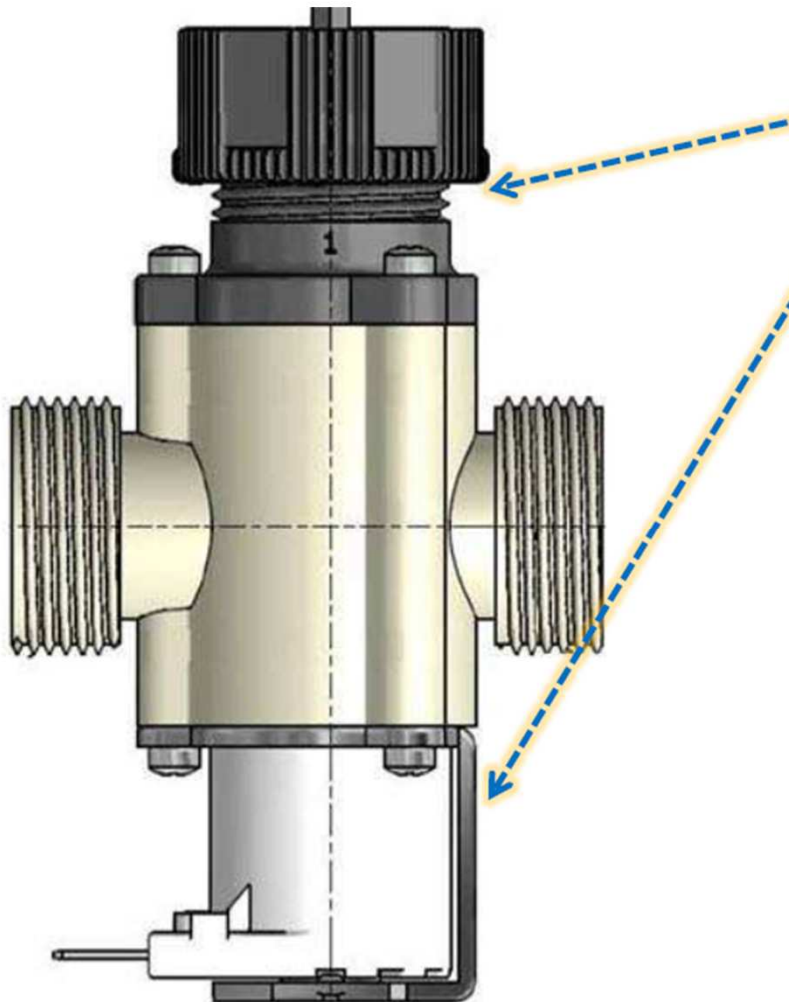
Room temperature	Tu 60°C
Fluid temperature	Tm 25°C
Flow direction	Bi - directional
Working position	Universal
Working pressure	MAX 10 bar MAX 145 psi
Filter diameter	DN 11mm
Filtration	131 μ (114 mesh) 168 μ (86 mesh) 237 μ (64 mesh) 307 μ (49 mesh)



# Opposite double Valve with Filter

100%  
MADE IN ITALY

8



This product combines a

**FILTER and  
SOLENOID VALVE**

## How does it work?

The solenoid valve and the rest of the circuit is **protected** by the high quality FILTER F Series.



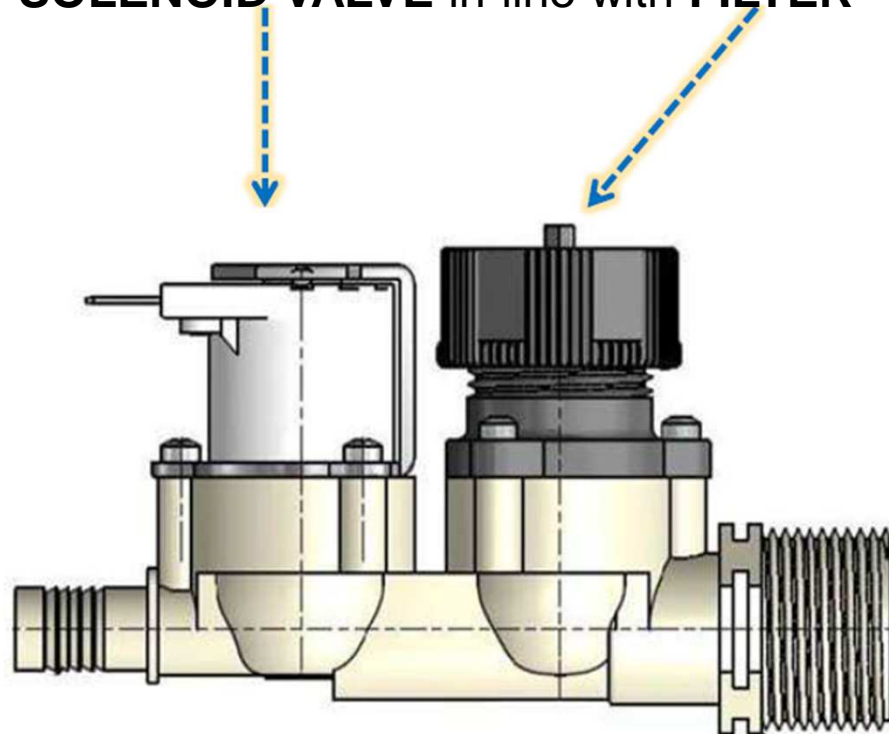


# In-line double VALVE with FILTER

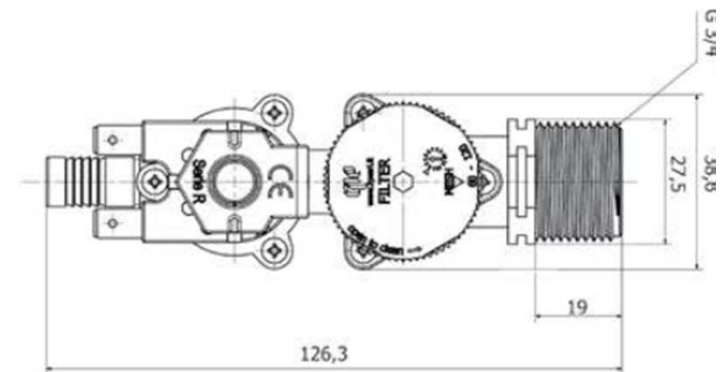
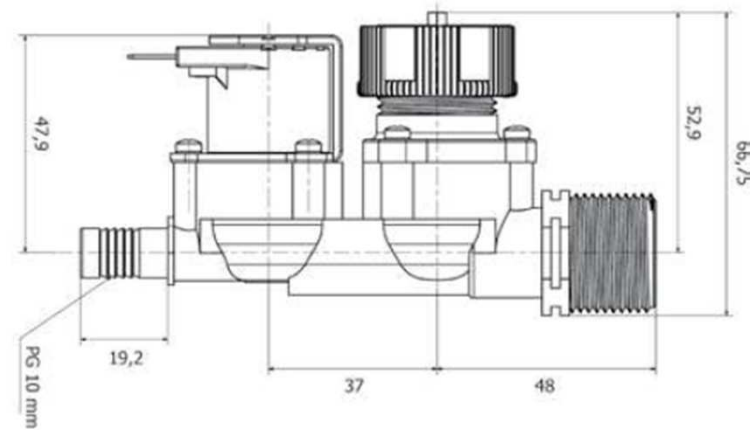
100%  
MADE IN ITALY

9

This product combines a  
**SOLENOID VALVE** in-line with **FILTER**



**Fluid control & Protection**  
In a single solution





# Quality Certifications

100%  
MADE IN ITALY

10

RPE Filters R series are quality certified

□ **Certificazioni alimentari**

□ NSF

□ KTW

□ W 270

□ **Altre**

□ CE

**KTW**

**CE**



**W 270**



# NOTHING GREAT HAS EVER BEEN DONE WITHOUT PASSION

11

Thanks for your attention



[www.rpesrl.it](http://www.rpesrl.it)